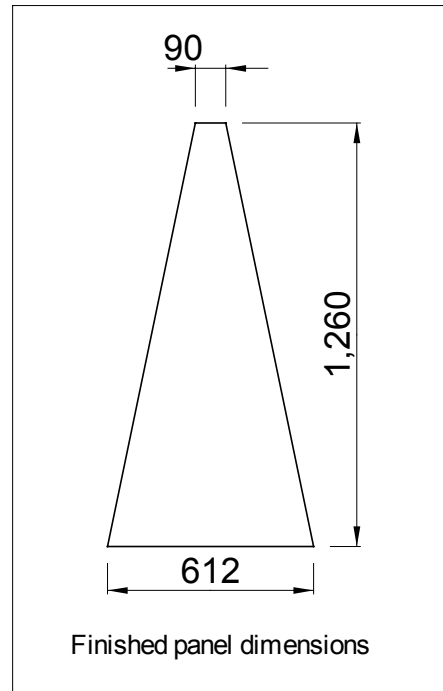
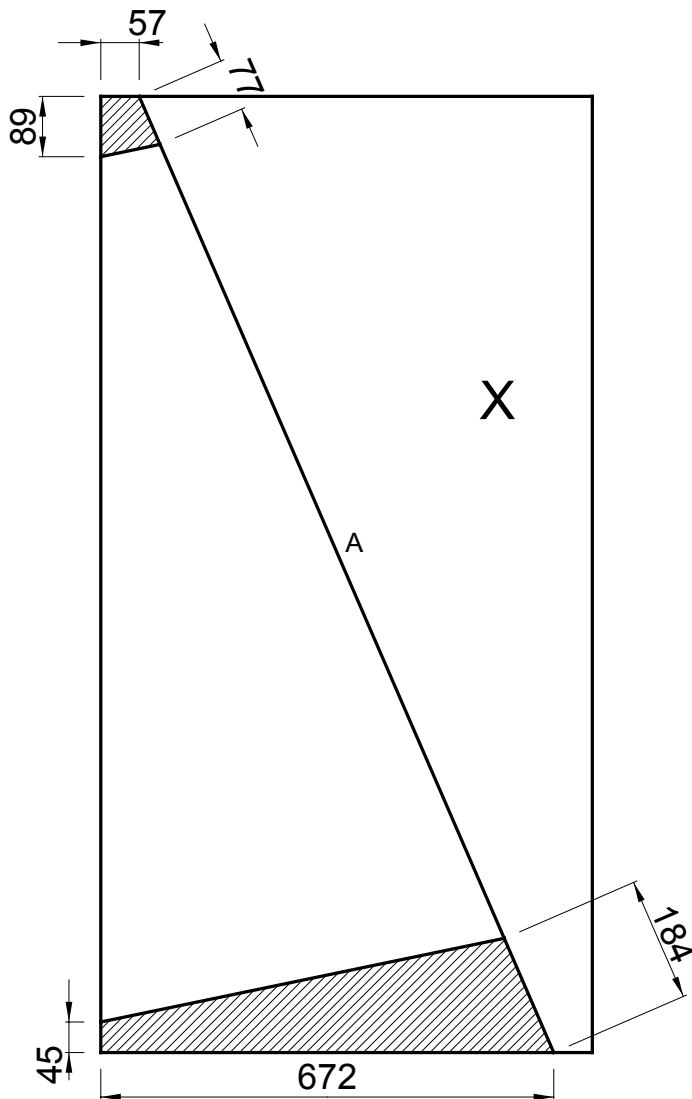


# GROWMATE STANDARD GLASS CUTTING INSTRUCTIONS



## Instructions for cutting glass for GrowMate Standard from 3mm dutchlight (1,422 x 730mm)

### All dimensions are millimetres

1. Measure, mark and cut along line A
2. Measure and cut off hatched areas (waste)
3. Check dimensions of finished panel (top right)
4. Use finished panel to cut a second identical panel from X.

**For a full set, cut 4 dutchlights into 8 pieces**